



# Anti-odour and decontamination filters

ENA active anti-odour filters

ENP passive anti-odour filter series



## Anti-odour and decontamination filters eliminate volatile chemical compounds both organic and inorganic.

### Principle of operation

Odours and toxic substances are removed when contaminated air flows through an individually selected filter usually being activated carbon. Clean air is directed from the device straight into the atmosphere.

parameters	ENA active anti-odour filters	ENP passive anti-odour filter series
neutralising agent	activated carbon	
neutralisation process	adsorption	
decontamination scope	odours and toxic substances*	
airflow	forced convection system	gravitational
required utilities	power supply (230V or 400V)	n/a

\* proven by toxicological laboratory tests

### Advantages



high effectiveness



low maintenance costs



resistant to temperature variations and daily changes in the amount of sewage



long work time of the filter insert, 2-5 years



all elements are resistant to corrosion and chemical compounds activity



ENA active anti-odour filter

## ENA active anti-odour filters

### Construction

The device is composed of HDPE chamber with a neutralising filter inside and a forced convection system (a fan). Modular system of the device enables its future development. The device is effective in treating the air coming from individual sources as well as communal, industrial or agricultural facilities.



**Manage your installations with BUMERANG SMART – an intelligent management system.**

*It enables constant monitoring of crucial data as well as effective control and management of the operation of your facilities.*

### Application



wastewater treatment plants



pumping stations and dry well pumping stations



composting plants



waste separation facilities



food processing plants



chicken farms



drainless reservoirs





ENPeco sub-manhole filter



EZK integrated supply-exhaust pipe filter



KF pipe filter



KFW insert for pipe filter

## ENP passive anti-odour filter series

### Construction

The whole construction is made from HDPE. This material is resistant to aggressive compounds found in sewage systems even in case of being in contact with them for a long time. The device is filled with neutralising filter insert. Passive anti-odour filters come in two versions as manhole or chimney filter.



ENPeco sub-manhole anti-odour filter

### Application



pumping stations and dry well pumping stations



drainless reservoirs



domestic wastewater treatment plants



grease separators

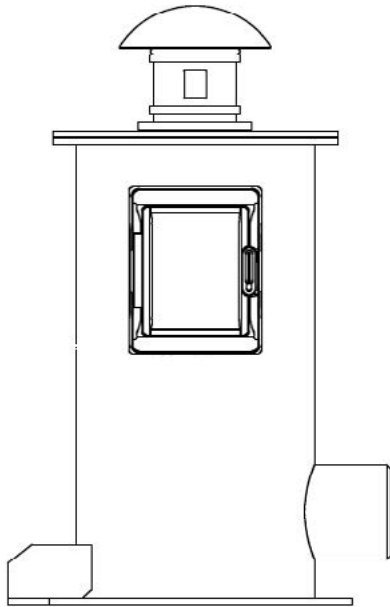


manholes

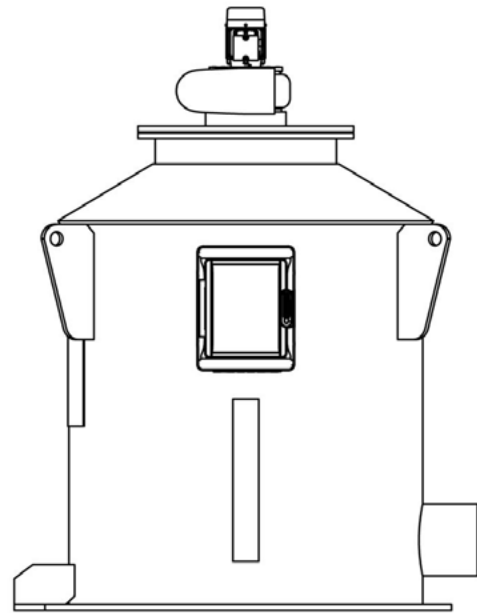
*Easy to assemble and use*

## Active odour-neutralizers with activated carbon inserts in HDPE chambers

Technical specifications for each unit of the series, together with a technical description and possible modifications of the dimensions, are available at [www.ecol-unicon.com](http://www.ecol-unicon.com)



ENA II 20 - ENA II 250



ENA II 300 - ENA II 1500

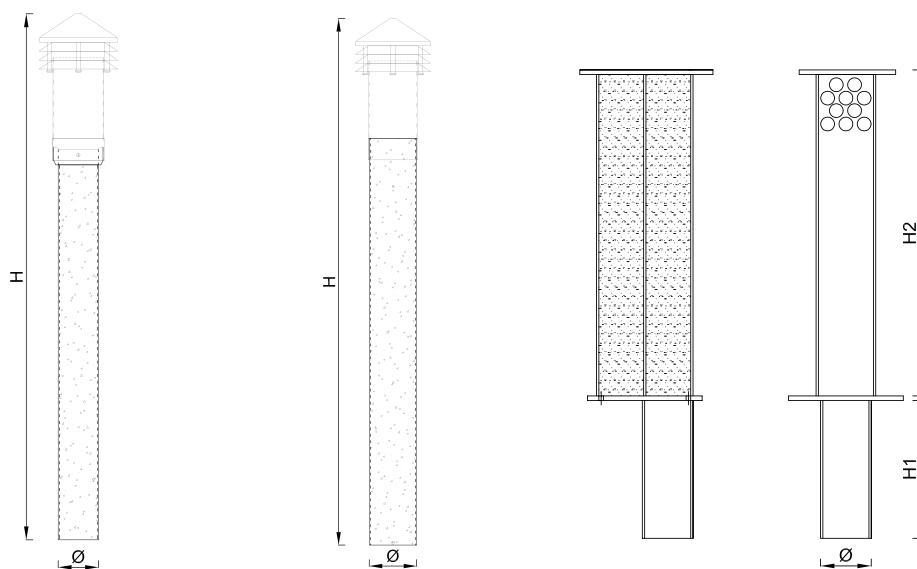
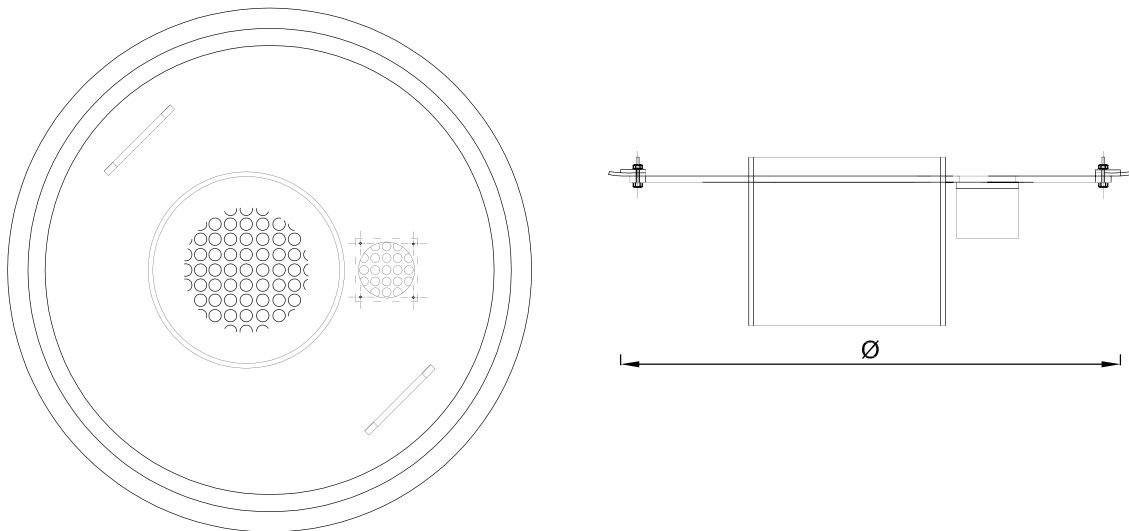
Model	External device circuit [mm]	Nominal output [m <sup>3</sup> /h]*	Max fan power consumption [W]	Intencity [A]	Level of acoustic pressure [db(A)]
🛒 ENA II-20	1090	20	101	0,49	54
🛒 ENA II-50	1090	50	101	0,49	54
🛒 ENA II-100	1090	100	101	0,49	54
🛒 ENA II-150	1090	150	192	0,8	57
🛒 ENA II-200	1090	200	192	0,8	57
🛒 ENA II-250	1090	250	192	0,8	57
🛒 ENA II-300	1520	300	750	5	66
🛒 ENA II-350	1520	350	750	5	66
🛒 ENA II-400	1520	400	750	5	66
🛒 ENA II-450	1520	450	750	5	66
🛒 ENA II-500	1520	500	750	5	66
🛒 ENA II-600	1520	600	750	5	66
🛒 ENA II-700	1820	700	1100	6,4	66
🛒 ENA II-800	1820	800	1100	6,4	66
🛒 ENA II-900	1820	900	1100	6,4	66
🛒 ENA II-1000	2320	1000	3000	11	68
🛒 ENA II-1100	2320	1100	3000	11	68
🛒 ENA II-1200	2320	1200	3000	11	68
🛒 ENA II-1300	2320	1300	3000	11	68
🛒 ENA II-1400	2320	1400	3000	11	68
🛒 ENA II-1500	2320	1500	3000	11	68

\*) The nominal capacity of the unit at which 95% of the malodorous volatile sulfur compounds are removed.

🛒 Available at Ecol-shop.com

# Passive anti-odour filters with activated carbon inserts

Technical specifications for each unit of the series, together with a technical description and possible modifications of the dimensions, are available at [www.ecol-unicon.com](http://www.ecol-unicon.com)



Model	Type	Diameter Ø	Height H [mm]	Insert [kg]
Sub-manhole filter	ENPeco - 600/10	600	270	10
	ENPeco - 600/5	600	270	5
	ENPeco - 800/10	800	270	10
	ENPeco - 800/5	800	270	5

Model	Type	Diameter Ø	Height H [mm]
KF pipe filter	KF 110/1000/C	110	1280
	KF 160/1000/C	160	1240
KFW insert for pipe filter	KFW 90/1000/C	90	1080
	KFW 140/1000/C	140	1130
EZK integrated supply-exhaust pipe filter	EZK 110/600/C	90*	610
	EZK 160/700/C	110*	710

\*) hole in the cover of the ventilated well should be made in diameter according to the name of the device