

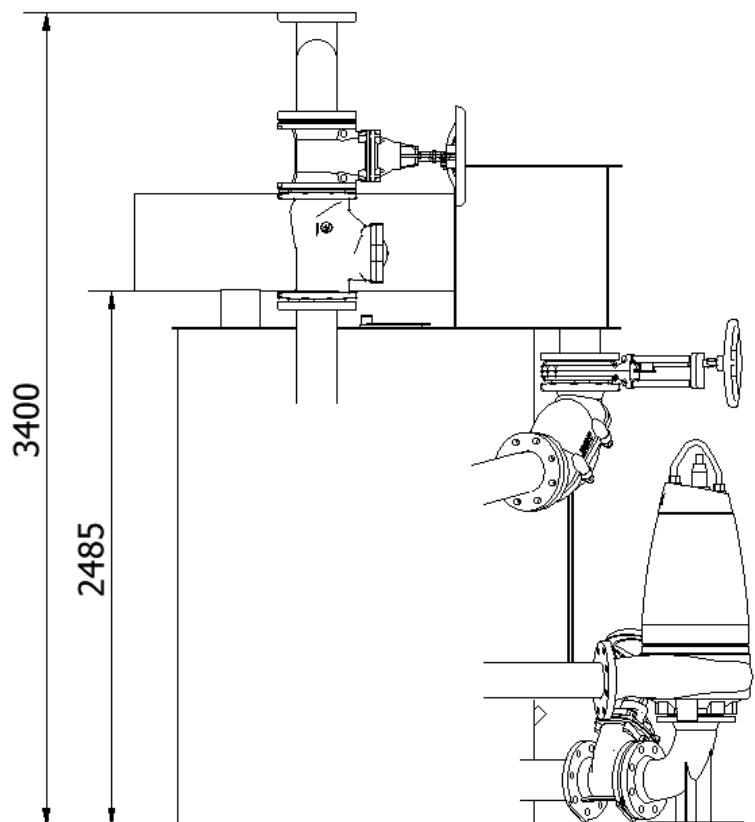
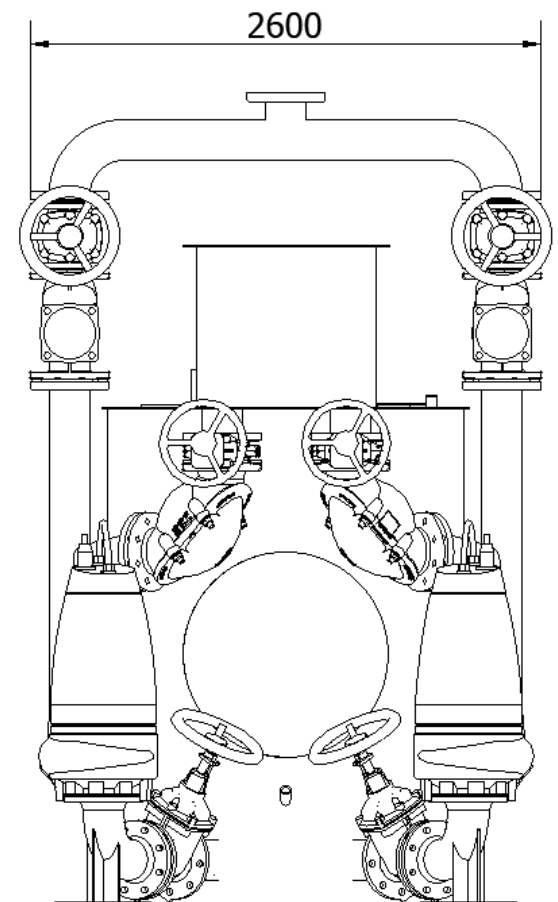
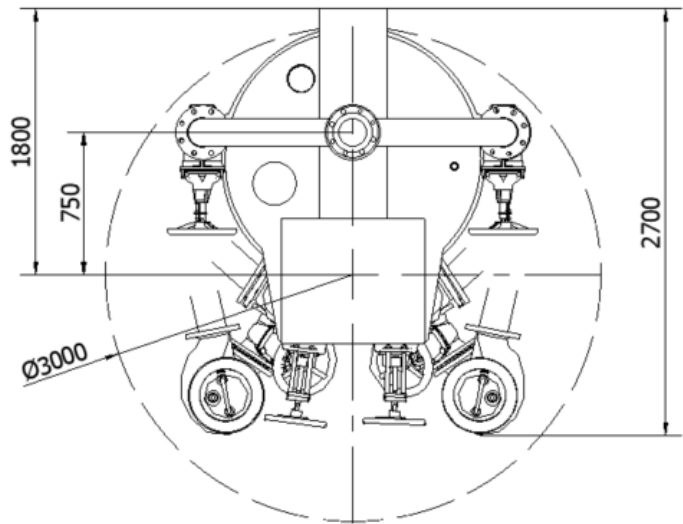
DRY-WELL SEWAGE LIFTING STATION MODULE TYPE: ESS 200/2/3.0/3400 M



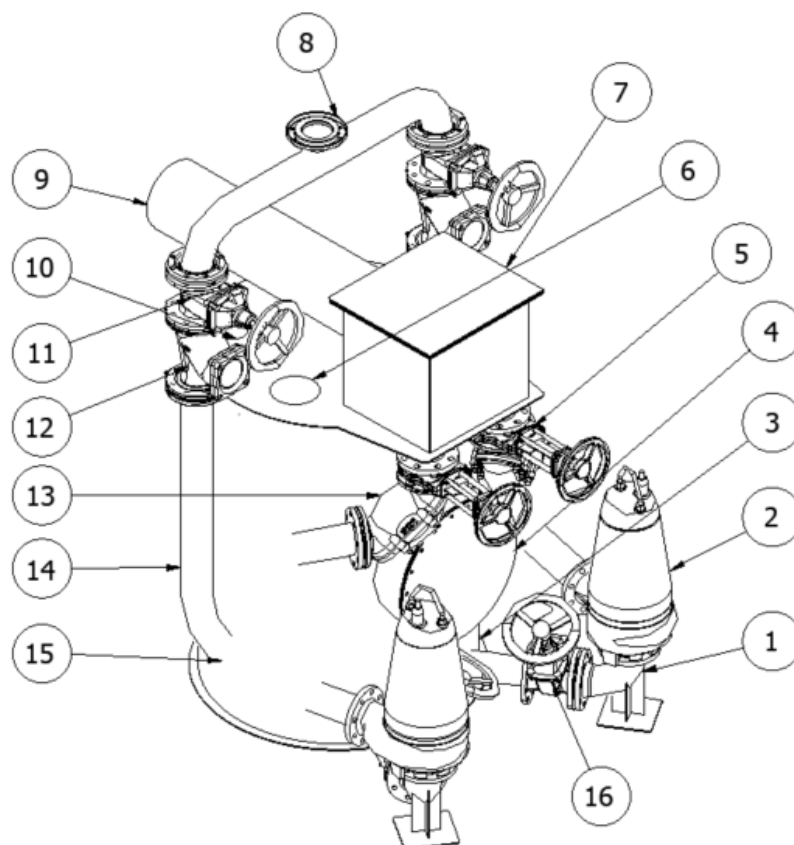
Technical parameters

- Min. sump diameter $\varnothing 3000$ mm
- Retention module Steel 1.4307
- Active retention volume 3400 dm³
- Max. inflow $Q_{\max} = 200$ m³/h
- Piping diameter DN200
- Inflow connection diameter DN400
- Module weight 1500 kg (*)

(*) - without pumps.



DRY-WELL SEWAGE LIFTING STATION MODULE TYPE: ESS 200/2/3.0/3400 M



No.	Name	Qty	Material
1	Pump mounting elbow	2	Cast iron / Steel 1.4307
2	Pump (**)	2	Cast iron
3	Retention tank	1	Steel 1.4307
4	Inspection hatch for the retention tank	1	Steel 1.4307
5	Knife gate valve on inflow DN200	2	Cast iron
6	Hydrostatic probe mount with cable gland	1	Steel 1.4307/HDPE
7	Manifold with overflow system	1	Steel 1.4307
8	Module flange connection DN200	1	Steel 1.4307
9	Connection pipe for gravity flow - pipe terminated with a flange connection 350 mm downstream of the manifold	1	Steel 1.4307
10	Ventilation of the lifting station module	1	Steel 1.4307
11	Soft-sealed gate valve on the discharge pipe	2	Cast iron
12	Straight ball check valve on the discharge pipe	2	Cast iron
13	Automatic shut-off of the inflow	2	Cast iron
14	Piping DN200	2	Steel 1.4307
15	Solids separator with by-pass system	2	Steel 1.4307
16	Knife gate valve	2	Cast iron

(**) - pumps not included in the standard scope of delivery.