

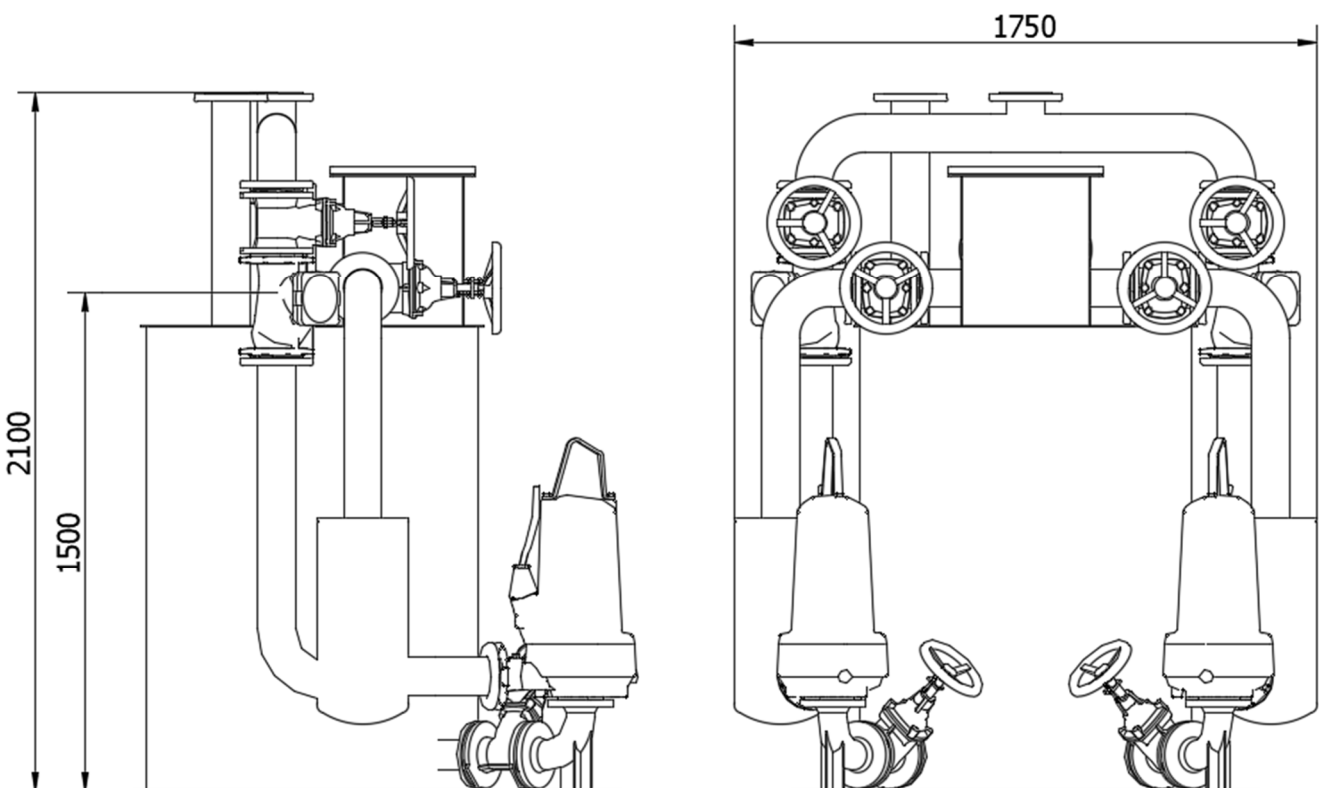
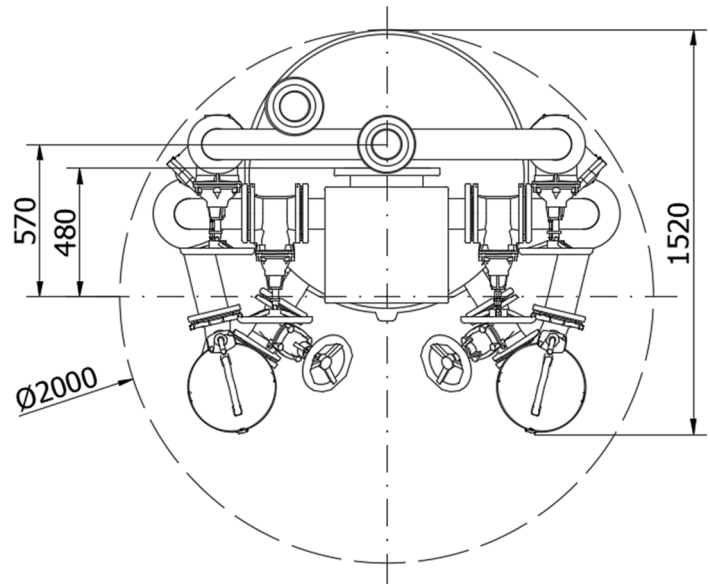
## DRY-WELL SEWAGE LIFTING STATION MODULE TYPE: ETS II 100/2/2.0/500 M



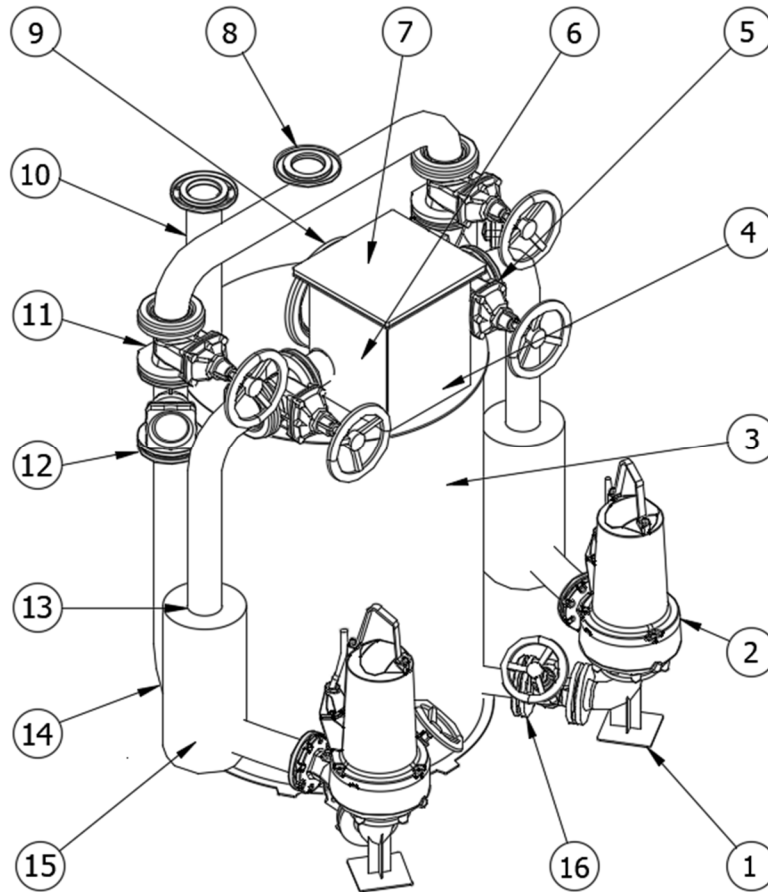
### Technical parameters:

- Sump diameter  $\varnothing 2000$  mm
- Retention module Steel 1.4307
- Active retention volume  $500 \text{ dm}^3$
- Max inflow  $Q_{\text{max}} = 30 \text{ m}^3/\text{h}$
- Piping diameter DN100
- Inflow connection diameter DN250
- Module weight 900 kg (\*)

(\*) - without pumps



# DRY-WELL SEWAGE LIFTING STATION MODULE TYPE: ETS II 100/2/2.0/500 M



No.	Name	Qty	Material
1	Pump mounting elbow	2	Cast iron/St. steel 1.4307
2	Pump	2	Cast iron
3	Retention tank	1	Steel 1.4307
4	Hydrostatic probe mount with cable gland	1	Steel 1.4307
5	Soft-sealed gate valve on inflow DN100	2	Cast iron
6	Manifold with overflow system	1	Steel 1.4307/HDPE
7	Inspection hatch for the retention tank	1	Steel 1.4307
8	Module flange connection DN100	1	Steel 1.4307
9	Flange connection for gravity flow DN250	1	Steel 1.4307
10	Ventilation of the lifting station module DN100	1	Steel 1.4307
11	Soft-sealed gate valve on the discharge pipe DN100	2	Cast iron
12	Straight ball check valve on the discharge pipe DN100	2	Cast iron
13	Automatic shut-off of the inflow DN100	2	Cast iron
14	Piping DN100	2	St. steel 1.4307
15	Solids separator	2	St. steel 1.4307
16	Soft-sealed gate valve	2	Cast iron

(\*\*) - pumps not included in the standard scope of delivery