

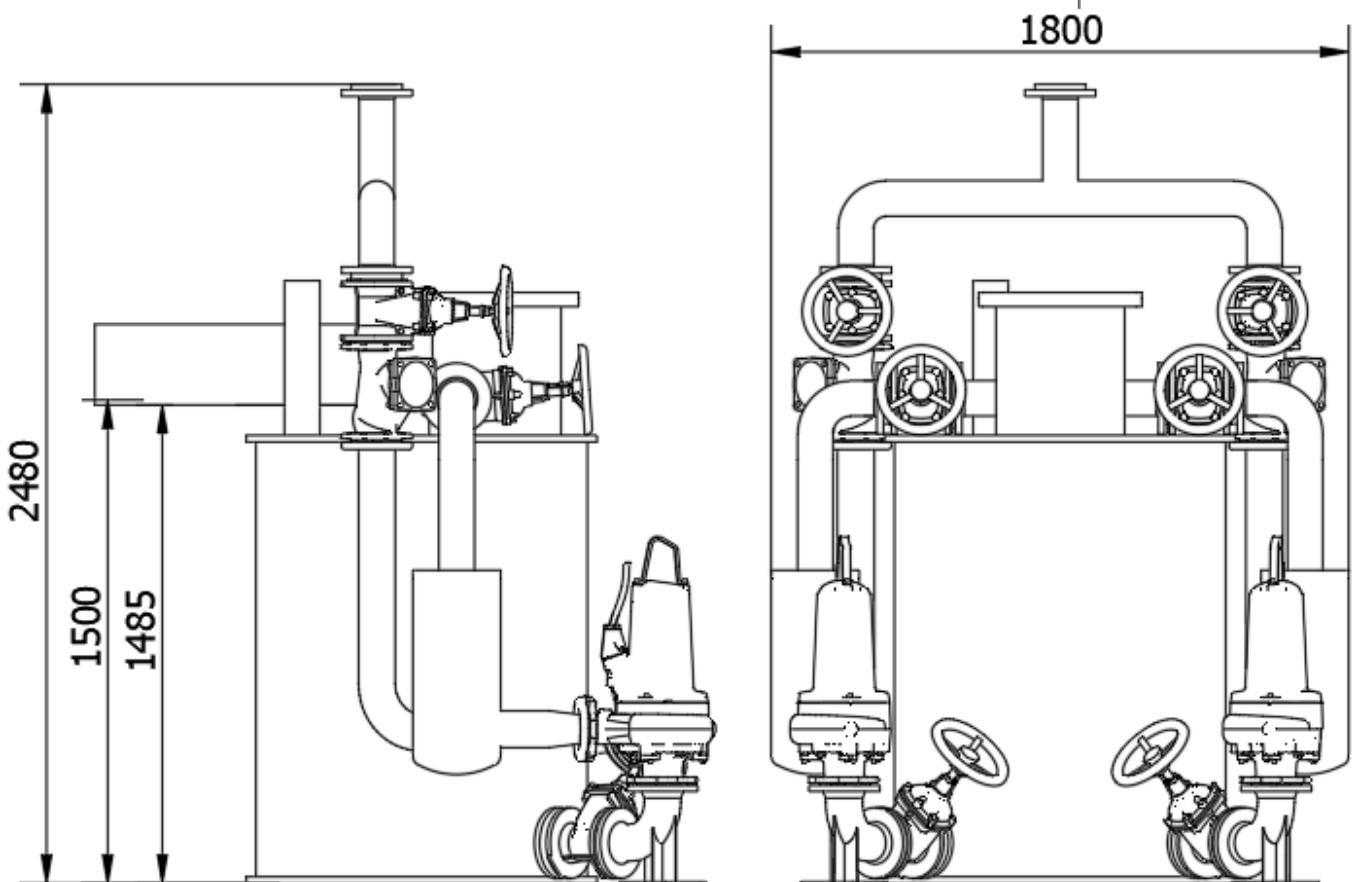
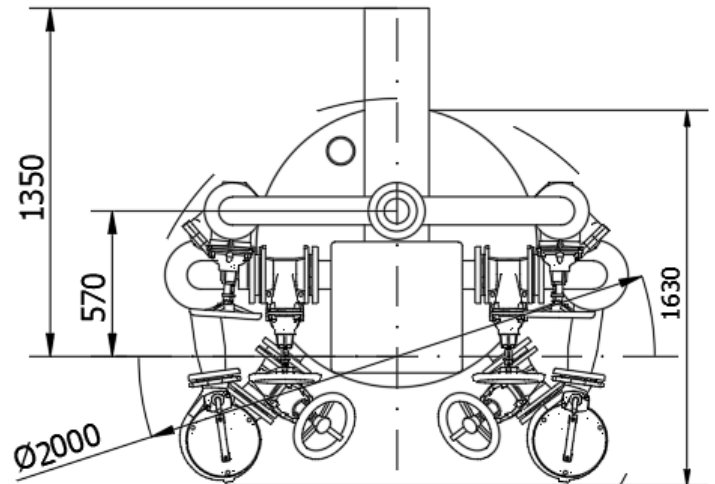
DRY-WELL SEWAGE LIFTING STATION MODULE TYPE: ETS II PE 100/2/2.0/500 M



Technical parameters:

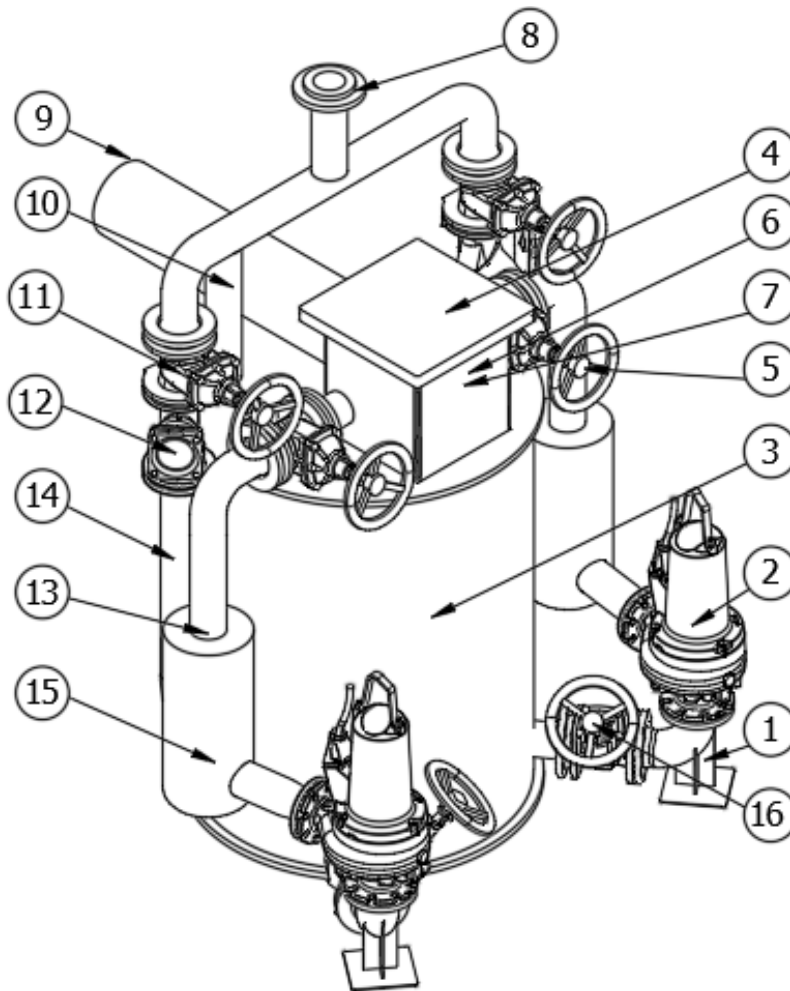
- Min. sump diameter $\varnothing 2000\text{mm}$
- HDPE retention module
- Active retention volume 500 dm^3
- Max inflow $Q_{\text{max}} = 30\text{m}^3/\text{h}$
- Piping diameter DN100
- Inflow connection diameter DN250
- Module weight 700 kg (*)

(*) - without pumps





DRY-WELL SEWAGE LIFTING STATION MODULE TYPE: ETS PE II 100/2/2.0/500 M



No.	Name	Qty	Material
1	Pump mounting elbow	2	Cast iron/ st. steel 1.4307
2	Pump	2	Cast iron
3	Retention tank	1	HDPE
4	Inspection hatch for the retention tank	1	HDPE
5	Soft-sealed gate valve on inflow DN100	2	Cast iron
6	Hydrostatic probe mount with cable gland	1	HDPE
7	Manifold with overflow system	1	HDPE
8	DN100 module flange connection	1	HDPE/PP
9	Connection pipe for gravity flow DN250	1	HDPE
10	Ventilation of the lifting station module DN100 (HDPE 110)	1	HDPE
11	Soft-sealed gate valve on the discharge pipe DN100	2	Cast iron
12	Straight ball check valve on the discharge pipe DN100	2	Cast iron
13	Automatic shut-off of the inflow DN100	2	HDPE/st. steel 1.4307
14	Piping DN100 (PE110/stainless steel DN100)	2	HDPE/st. steel 1.4307
15	Solids separator	2	St. steel 1.4307
16	Soft-sealed gate valve	2	Cast iron

(**) - pumps not included in the standard scope of delivery