

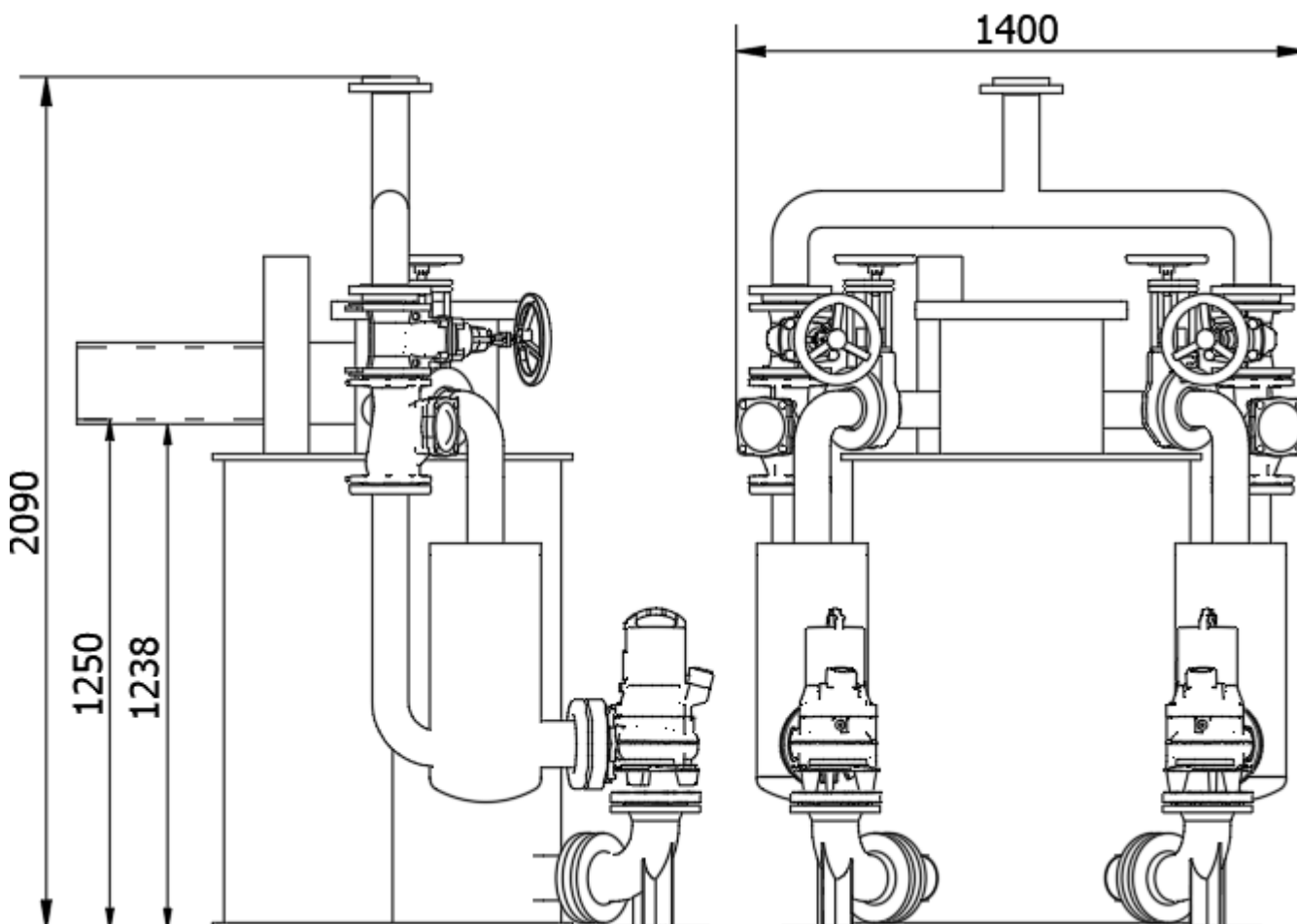
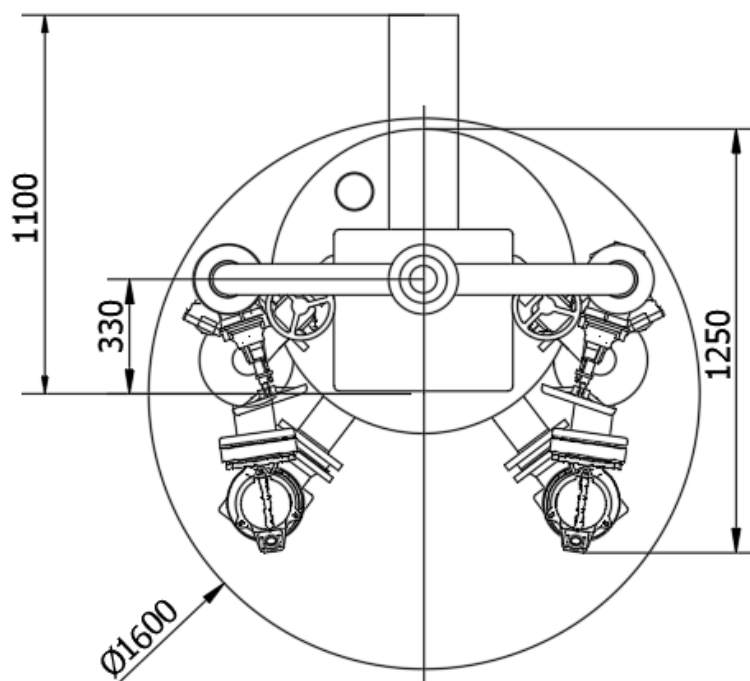
## DRY-WELL SEWAGE LIFTING STATION MODULE TYPE: ETS II PE 80/2/1.6/300 M



### Technical parameters:

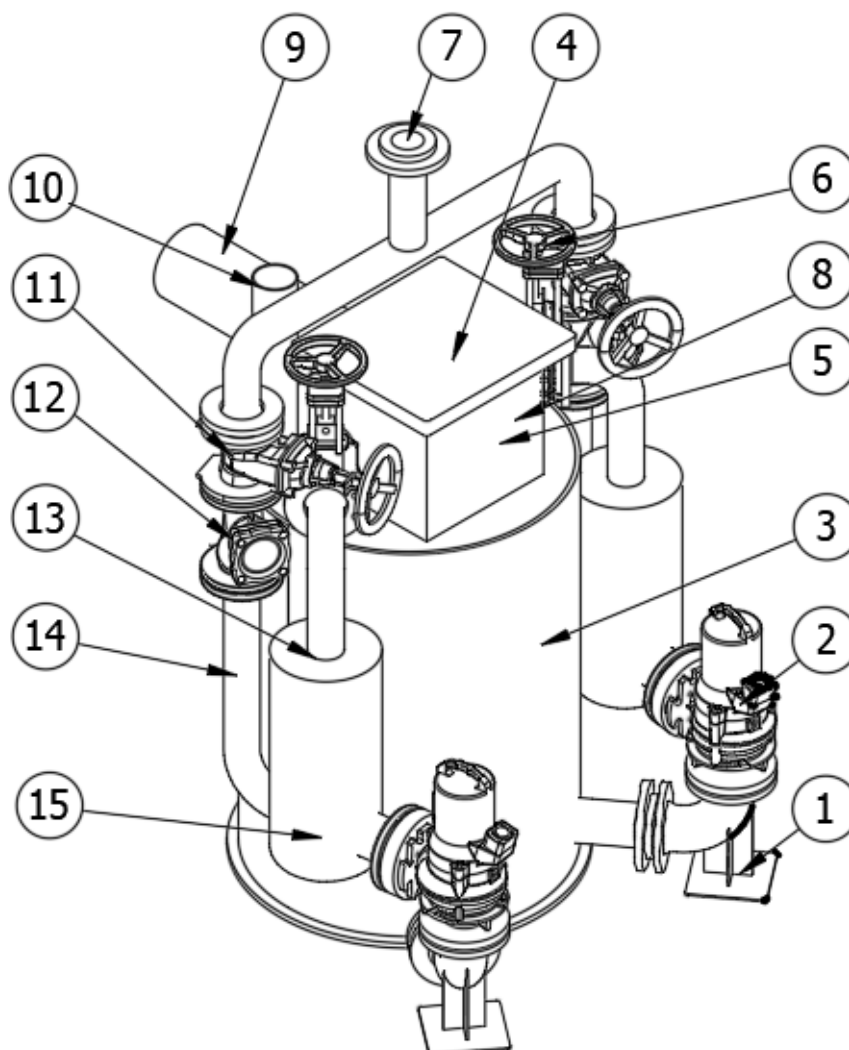
- Min. sump diameter  $\varnothing 1600\text{mm}$
- HDPE retention module
- Active retention volume 300 dm<sup>3</sup>
- Max inflow  $Q_{\text{max}} = 15\text{m}^3/\text{h}$  (momentary inflow up to  $20\text{m}^3/\text{h}$ )
- Piping diameter DN80
- Inflow connection diameter DN200
- Module weight 520 kg (\*)

(\*) - without pumps



## DRY-WELL SEWAGE LIFTING STATION MODULE

### TYPE: ETS II PE 80/2/1.6/300 M



No.	Name	Qty	Material
1	Pump mounting elbow	2	Cast iron/ st. steel 1.4307
2	Pump (**)	2	Cast iron
3	Retention tank	1	HDPE
4	Inspection hatch for the retention tank	1	HDPE
5	Hydrostatic probe mount with cable gland	1	HDPE
6	Knife gate valve on inflow DN80	2	Cast iron
7	DN80 module flange connection	1	HDPE/PP
8	Manifold with overflow system	1	HDPE
9	Connection pipe for gravity flow	1	HDPE DN200
10	Ventilation of the lifting station module DN100 (PE110)	1	HDPE
11	Soft-sealed gate valve on the discharge pipe	2	Cast iron DN80
12	Straight ball check valve on the discharge pipe	2	Cast iron DN80
13	Automatic shut-off of the inflow DN80	2	HDPE/st. steel 1.4307
14	Piping DN80 (PE90/stainless steel DN80)	2	HDPE/st. steel 1.4307
15	Solids separator	2	St. steel 1.4307

(\*\*) - pumps not included in the standard scope of delivery